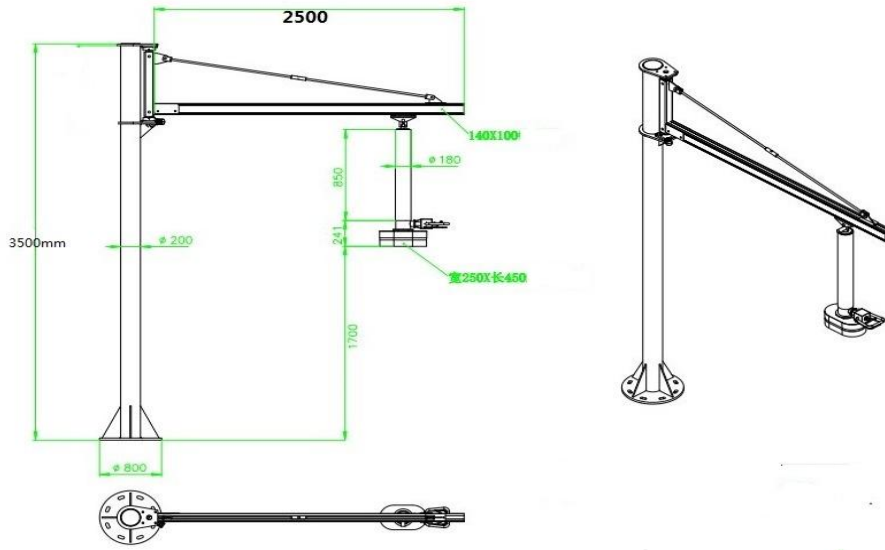


Components List of bags vacuum lifter



Item	Specification
Vacuum blower	Taiwan Brand or Seperated Siemens brand
Air Filter	Imported France Manupac
Air Gas Tube	Imported High end Germany Primaflex Brand
Lifting Tube	Imported High end Germany Primaflex Brand
Non-Polar Swivel Joint	One-Way Valve Control ,promise safety of Operator and item when sudden power cut off
Suction cup	imported brand
Jib crane +Swing Guid rail	KBK brand material
Control shaft	Famous Chinese brand
Switch connector	

Snap Joint ,Seal Pad	
Ratio of Lifting Tube	1:03
Lifitng Speed	Max.50M/min
Lifting height	1700mm
Wokring pressure	50Kpa
Air Gas tube Length	10m
Power	4KW
Max Loading Capacity	50KG
Voltage	380V/50HZ/3 phase